

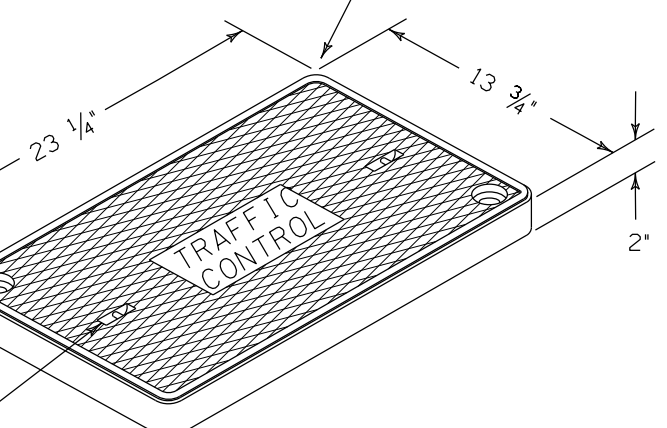
3/8" DIA. STAINLESS STEEL
HEXHEAD BOLT W/ WASHER

3/8" THREADED INSERT

COVER DETAIL

COVER TO BE MARKED
"TRAFFIC CONTROL"

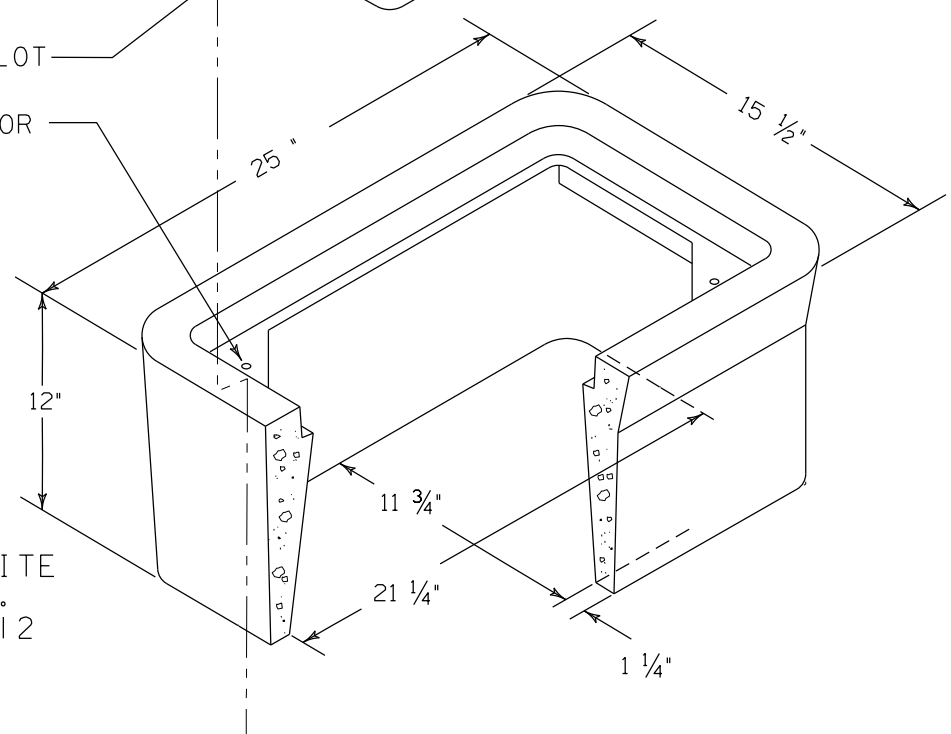
BOLT-DOWN HOLES (TYP.)



HEAVY DUTY COMPOSITE
CONCRETE PULL BOX.
QUAZITE: PGI324HA00
COVER OR APPROVED
EQUIVALENT.

LIFT SLOT

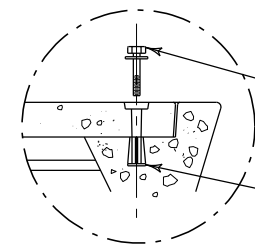
3/8" DIA. INSERT FOR
BOLT-DOWN COVER
(SEE COVER DETAIL)



HEAVY DUTY COMPOSITE
CONCRETE PULL BOX.
QUAZITE: PGI324BA12
BOX OR APPROVED
EQUIVALENT.

TYPICAL SIGNAL PULL BOX
(TRAFFIC CONTROL TYPE "A")

NOT TO SCALE



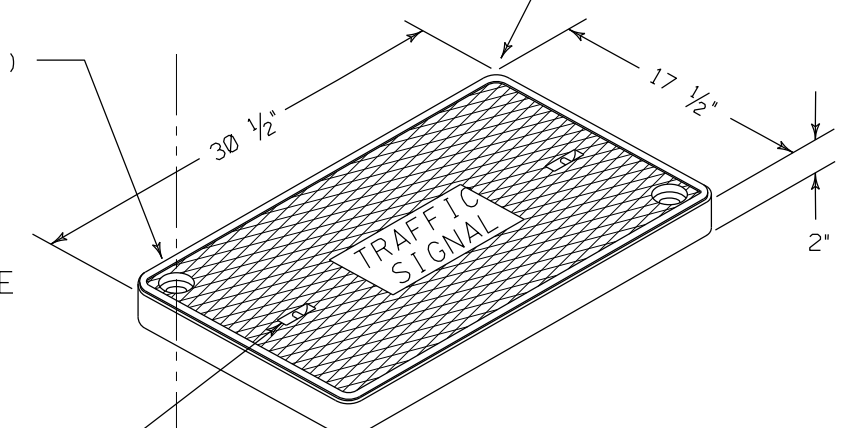
3/8" DIA. STAINLESS STEEL
HEXHEAD BOLT W/ WASHER

3/8" THREADED INSERT

COVER DETAIL

COVER TO BE MARKED
"TRAFFIC SIGNAL"

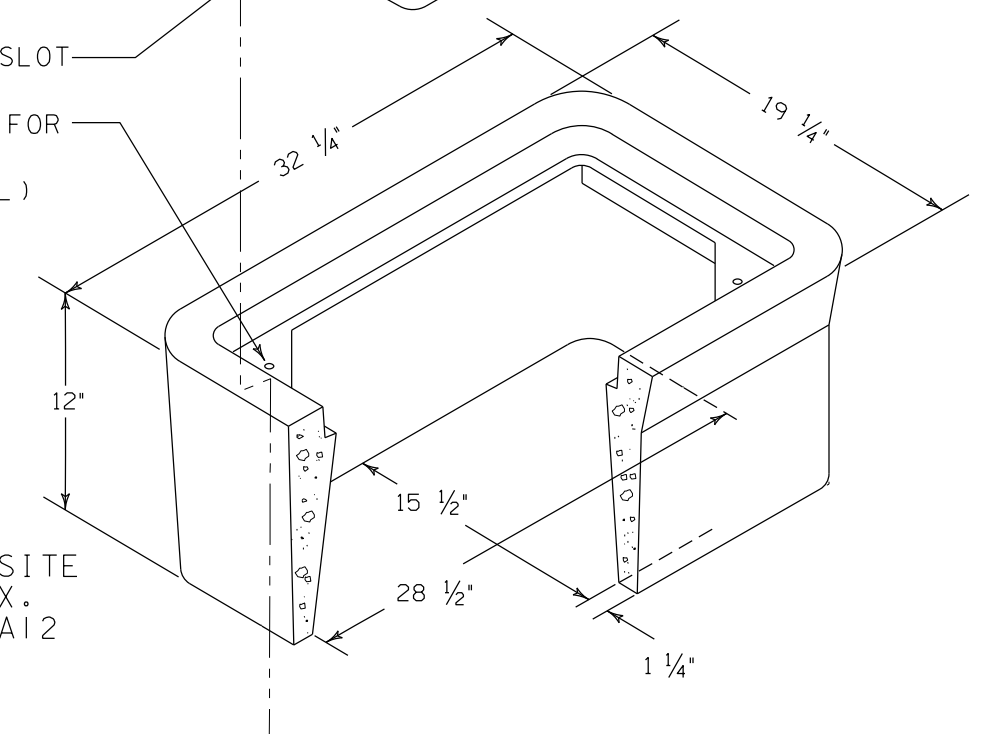
BOLT-DOWN HOLES (TYP.)



HEAVY DUTY COMPOSITE
CONCRETE PULL BOX.
QUAZITE: PGI730HA00
COVER OR APPROVED
EQUIVALENT.

LIFT SLOT

3/8" DIA. INSERT FOR
BOLT-DOWN COVER
(SEE COVER DETAIL)



HEAVY DUTY COMPOSITE
CONCRETE PULL BOX.
QUAZITE: PGI730BA12
BOX OR APPROVED
EQUIVALENT.

TYPICAL SIGNAL PULL BOX
(TRAFFIC SIGNAL TYPE "B")

NOT TO SCALE

REVISIONS					
DATE	BY	DESCRIPTION	DATE	BY	DESCRIPTION



Collier County Traffic Operations
2885 South Horseshoe Drive
Naples, Florida 34104

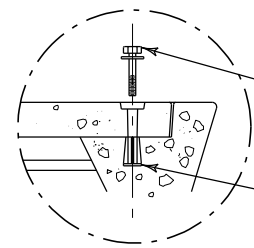
Phone: (239) 252-8260
Fax: (239) 252-5868

COLLIER COUNTY
GROWTH MANAGEMENT DIVISION

PULL BOX
DETAILS

SHEET
NO.

TSP-23



3/8" DIA. STAINLESS STEEL
HEXHEAD BOLT W/ WASHER

3/8" THREADED INSERT

COVER DETAIL

BOLT-DOWN HOLES (TYP.)

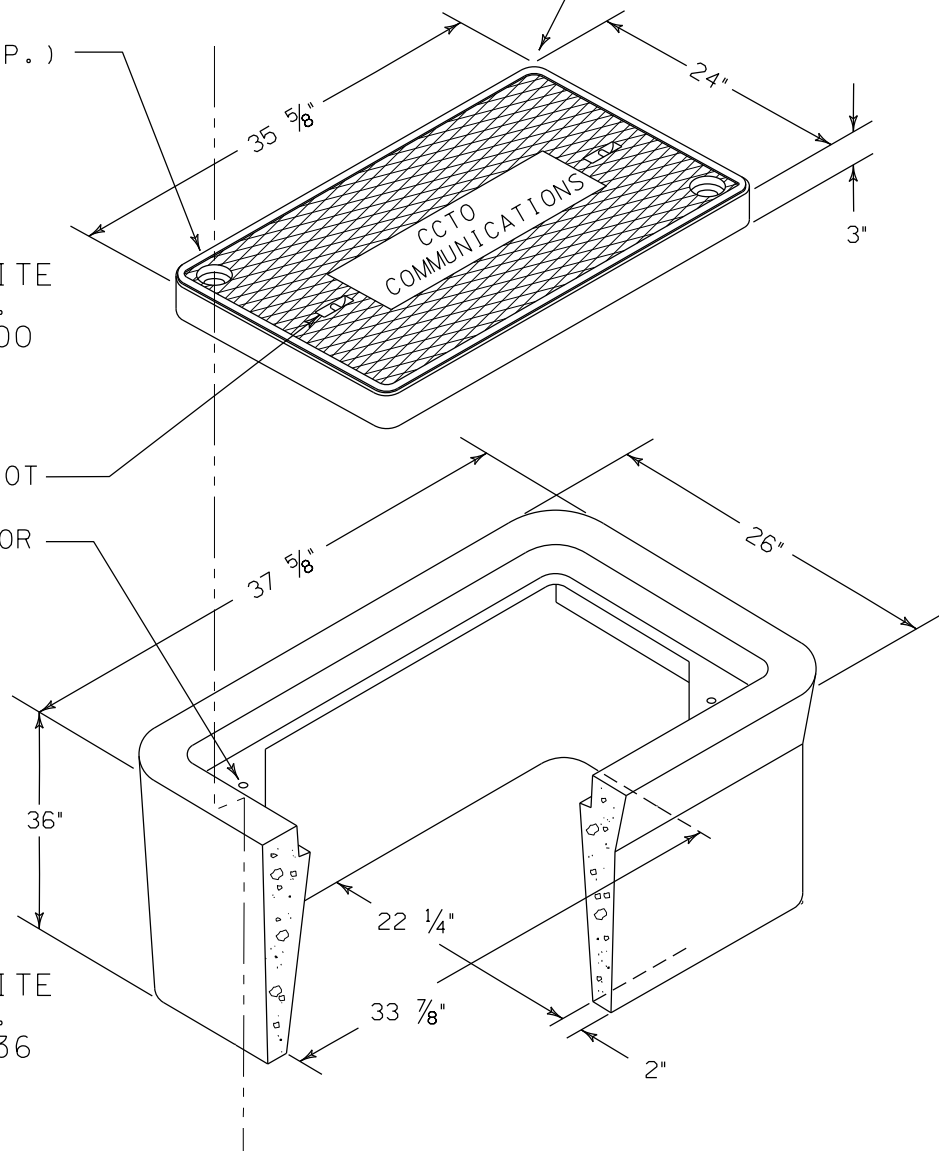
COVER TO BE MARKED
"CCTO"
"COMMUNICATIONS"

HEAVY DUTY COMPOSITE
CONCRETE PULL BOX.
QUAZITE: PG2436HA00
COVER OR APPROVED
EQUIVALENT.

LIFT SLOT

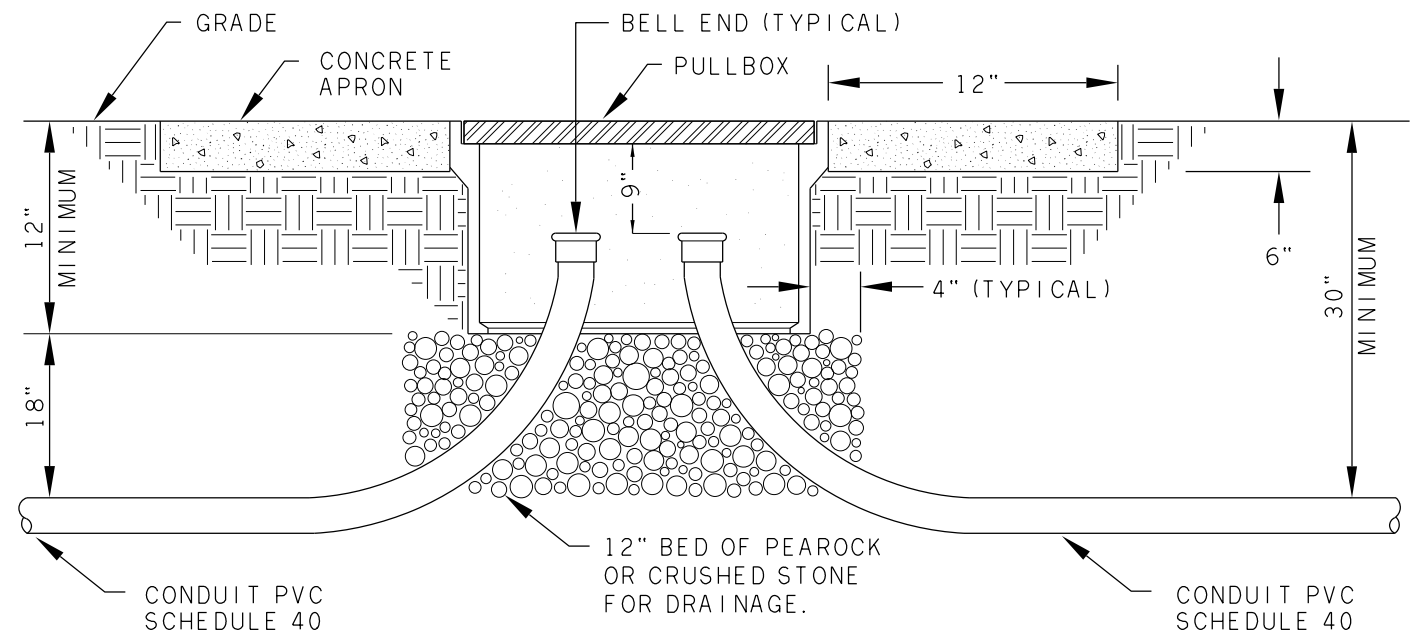
3/8" DIA. INSERT FOR
BOLT-DOWN COVER
(SEE COVER DETAIL)

HEAVY DUTY COMPOSITE
CONCRETE PULL BOX.
QUAZITE: PG2436BA36
BOX OR APPROVED
EQUIVALENT.



TYPICAL SIGNAL PULL BOX
(CCTO COMMUNICATIONS TYPE "C")

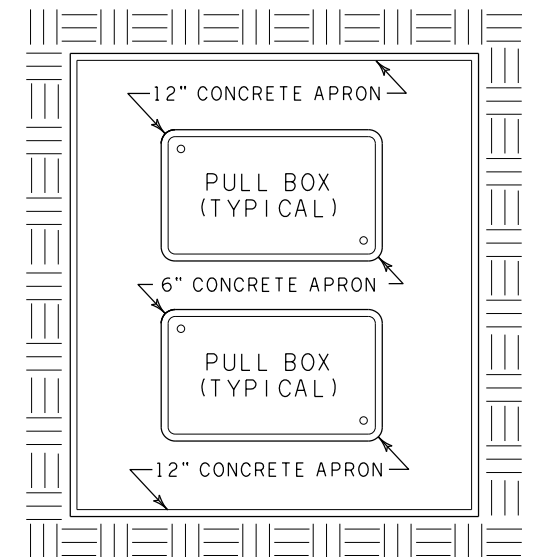
NOT TO SCALE



SECTION

PULL BOX NOTES:

1. PULL BOX SHALL BE H-20 RATED HEAVY DUTY COMPOSITE TYPE NON-STEEL.
2. PULL BOXES SHALL HAVE A 12" CONCRETE APRON AROUND BOX AT A MINIMUM 6" DEPTH.



PLAN

FUNCTION	SIZE	LOGO	TYPE
INDUCTIVE LOOPS	13"x24"x12"	TRAFFIC CONTROL	"A"
ALL EXCEPT INDUCTIVE LOOPS AND COMMUNICATIONS	17"x30"x12"	TRAFFIC SIGNAL	"B"
COMMUNICATIONS	24"x36"x36"	CCTO COMMUNICATIONS	"C"

TYPICAL PULL BOX DETAIL

NOT TO SCALE

REVISIONS					
DATE	BY	DESCRIPTION	DATE	BY	DESCRIPTION



Collier County Traffic Operations
2885 South Horseshoe Drive
Naples, Florida 34104

Phone: (239) 252-8260
Fax: (239) 252-5868

COLLIER COUNTY
GROWTH MANAGEMENT DIVISION

PULL BOX
DETAILS

SHEET
NO.

TSP-24