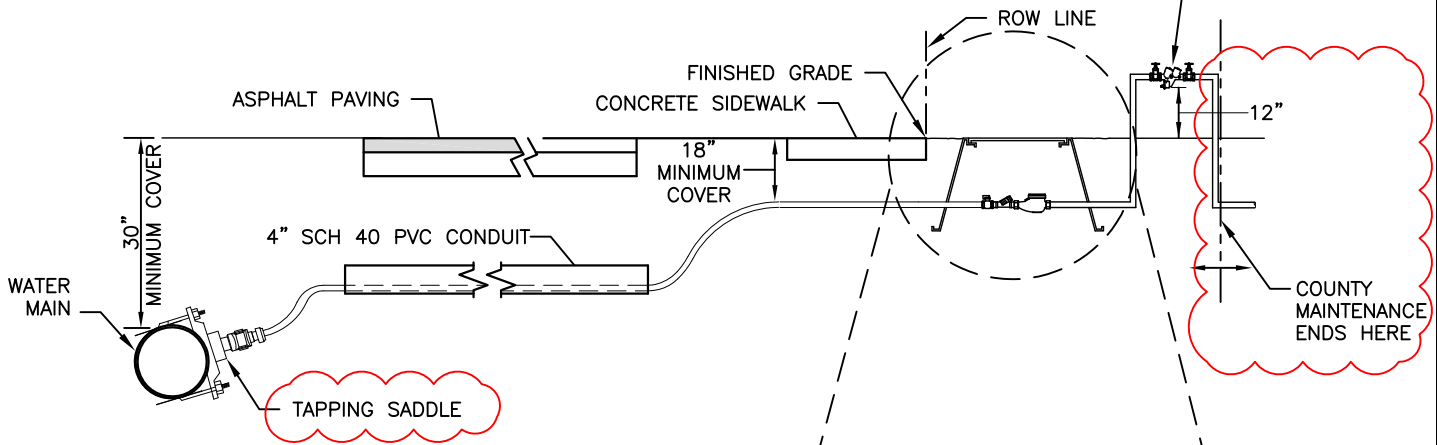
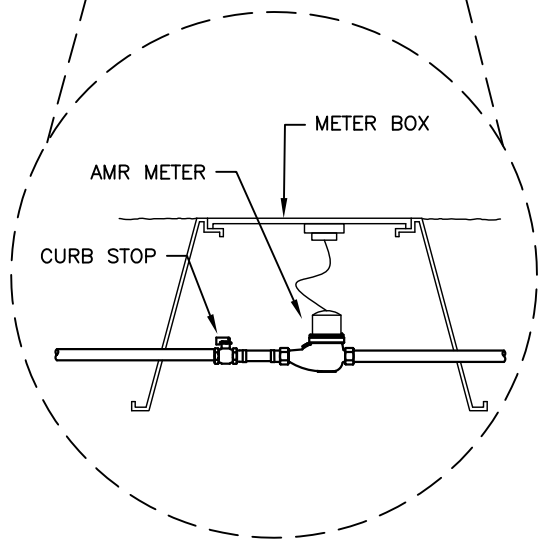


PLACE CURB STOP AND METER BOX INSIDE LOT LINE AT LOT CORNERS.



SEE W-12A FOR NOTES AND SIZING



**TYPICAL SHORT AND LONG SIDE WATER SERVICE METER SETTING DETAIL FOR CONNECTION TO WATER MAIN**

NTS

REVISION DATE:
MAY 2018



SHEET NO.  
W-12