

The Cove Stormwater Pump Station Outfall Improvements And Water Quality Project



City of Naples Streets and Stormwater Division

Thursday January 28th, 2016

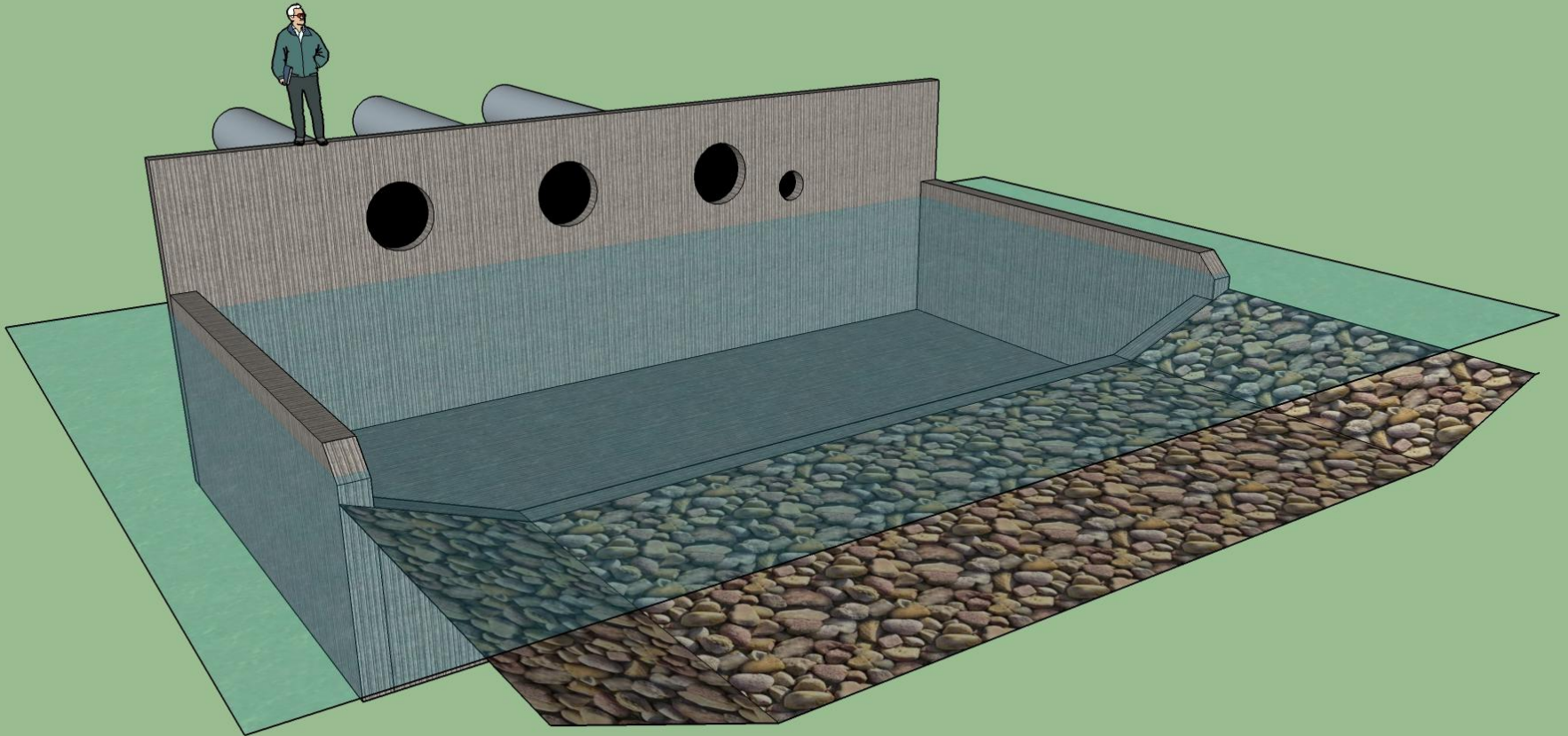
Existing Conditions



Views and Amenities



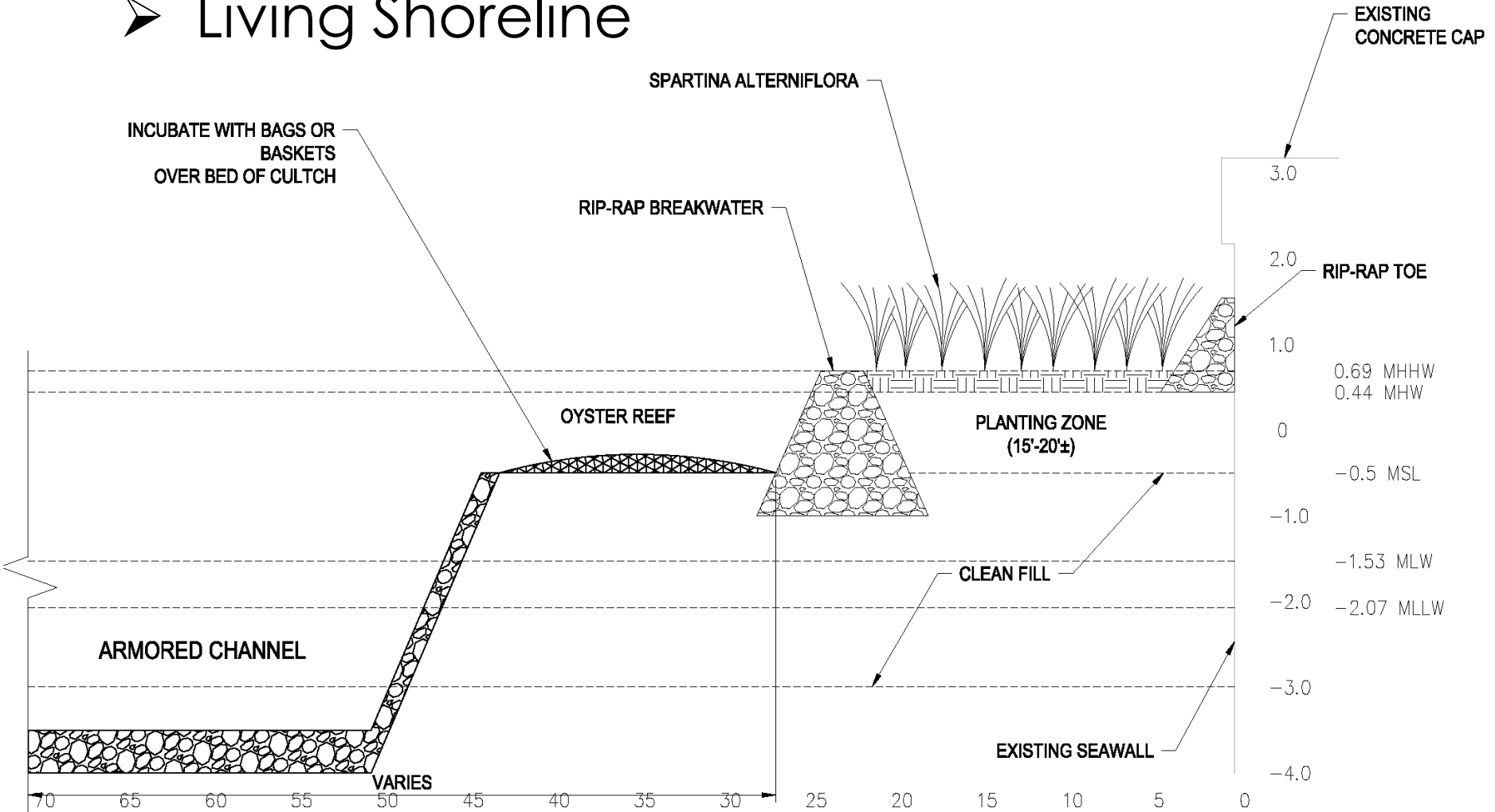
Preliminary Design



Outfall Sump Design

Preliminary Design

➤ Living Shoreline



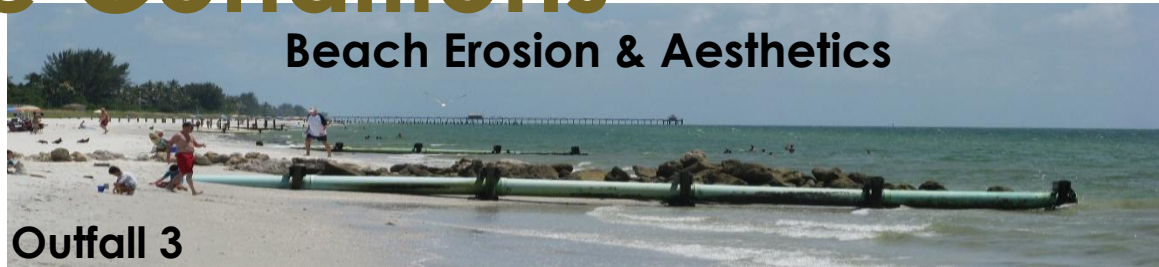
NAPLES BEACH RESTORATION



Site Conditions



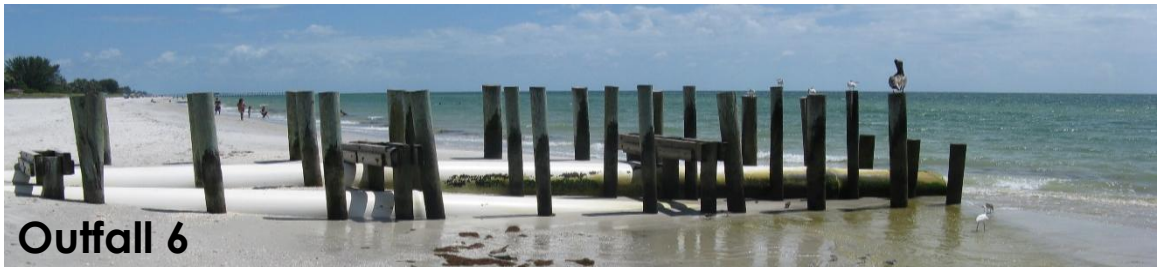
Frequent Maintenance



Beach Erosion & Aesthetics



Outfall 5



Outfall 6

Site Conditions

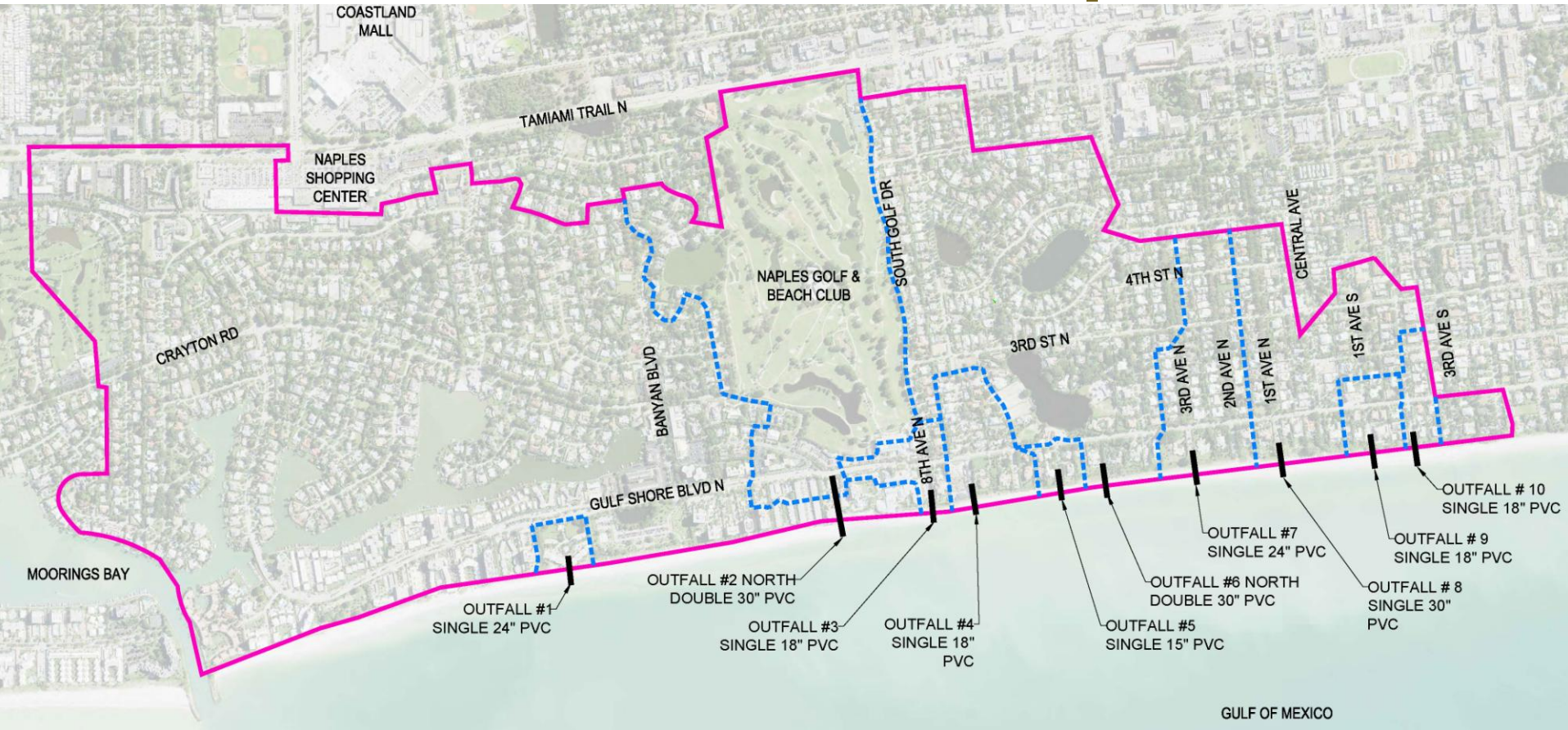


**Flooding of Gulf Shore Road
(Near 2nd Ave N/Outfall 8, Sept 2015)**



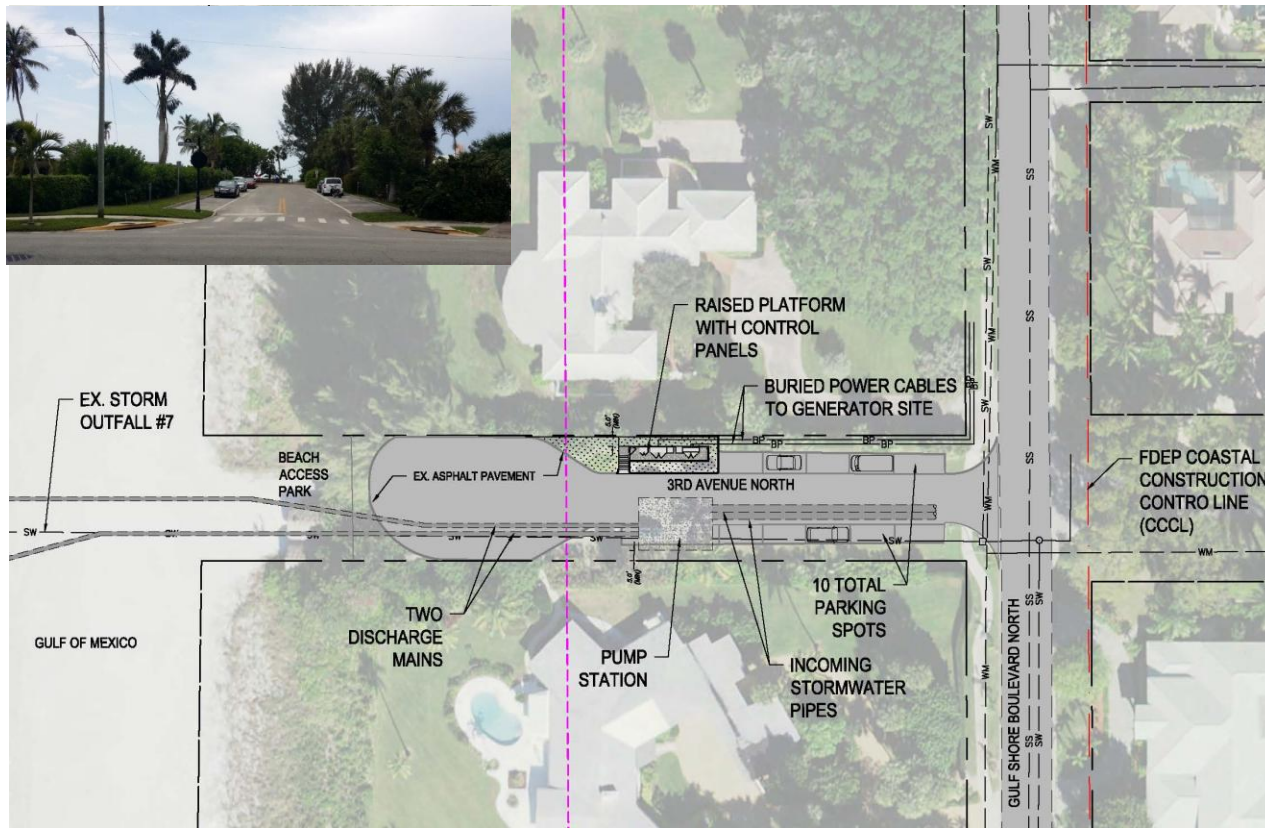
**Blocked Discharge
(Outfall 9)**

Stormwater Outfalls at Naples Beach



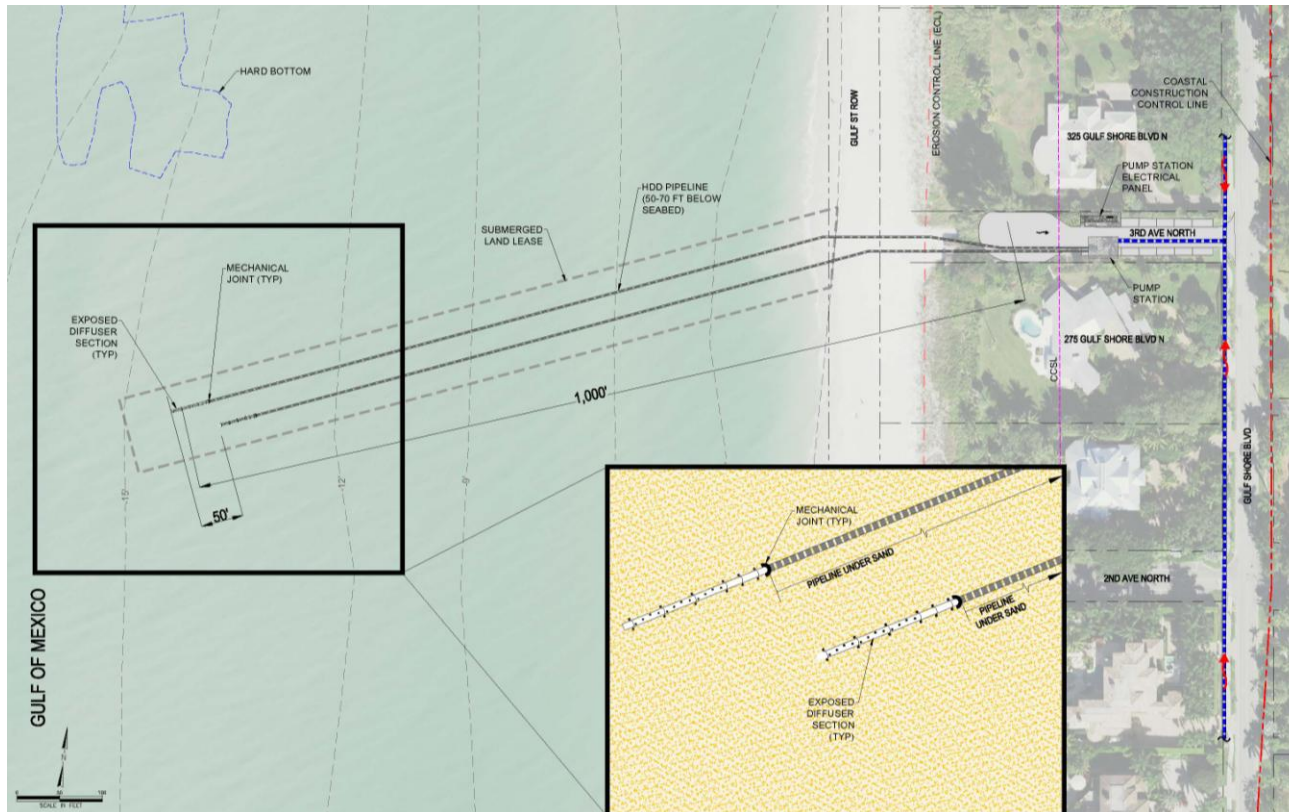
Outfalls: #2, #3, #4, #5 and #6, #7, #8, #9, #10 (City-9)

“South System” Pump Station Design



Typical Underground Pump Stations with Elevated Control Panel

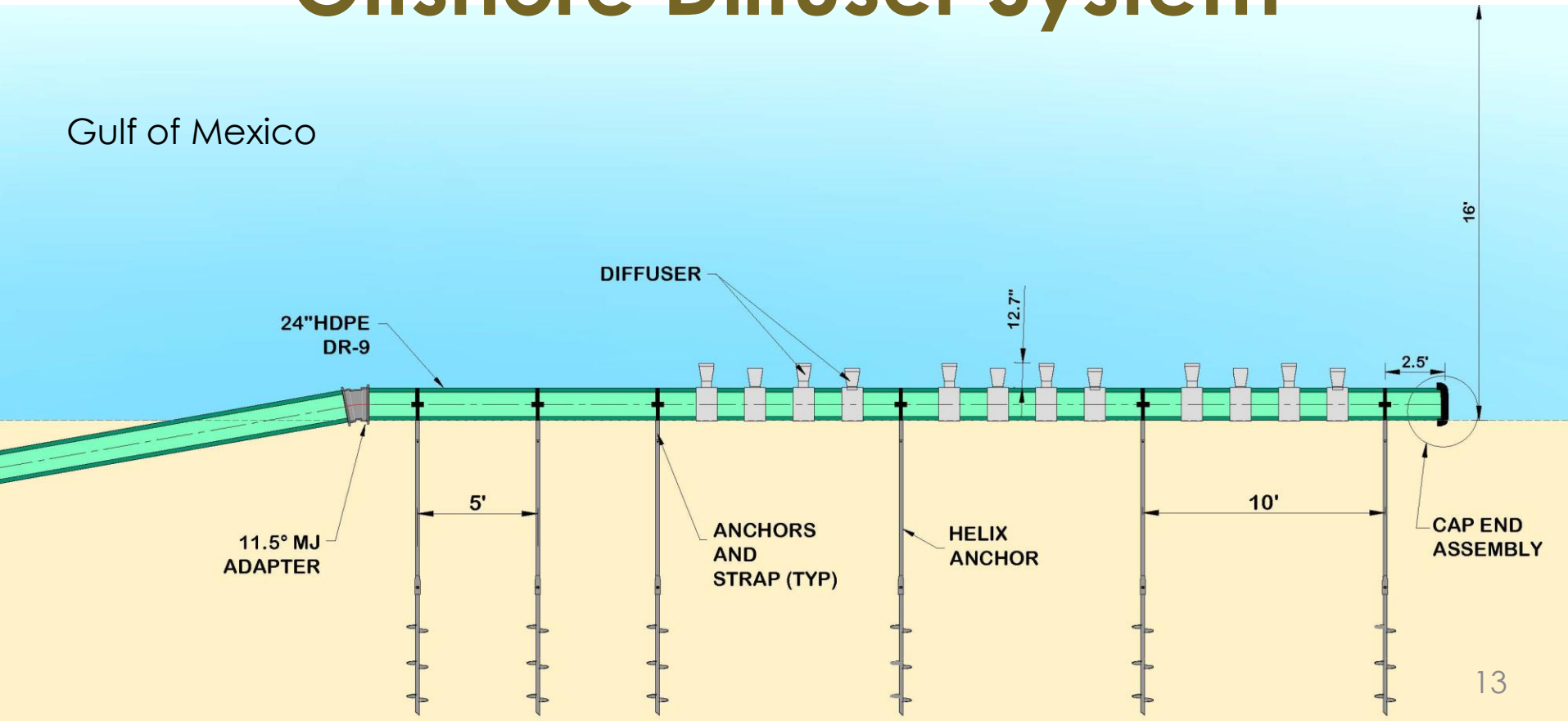
“South System” Offshore Discharge & Diffuser



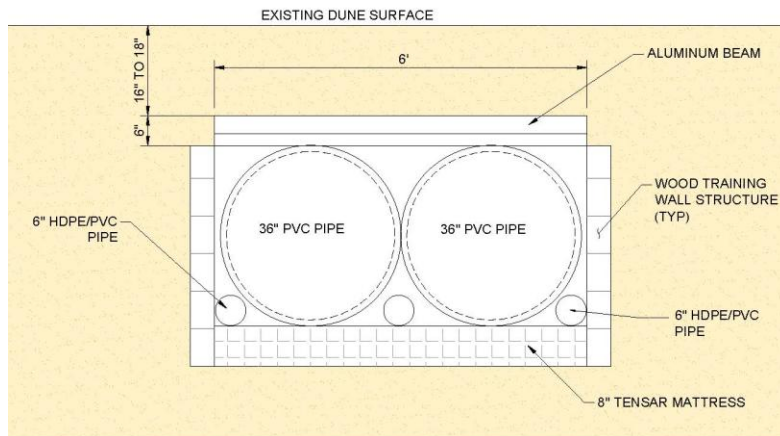
Preferred
Alternative

Offshore Diffuser System

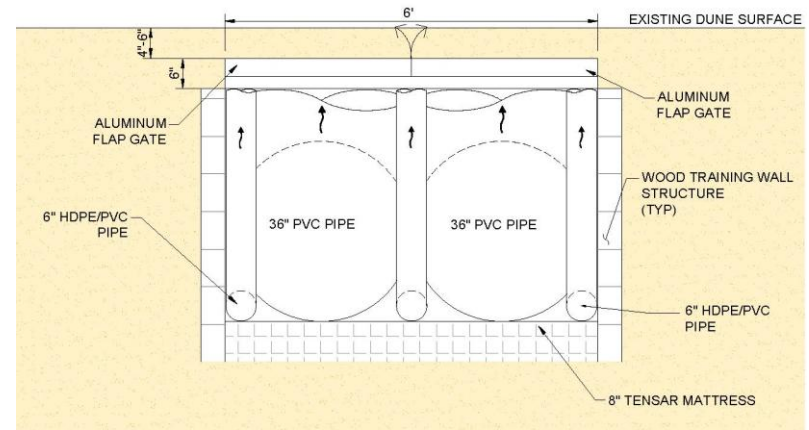
Gulf of Mexico



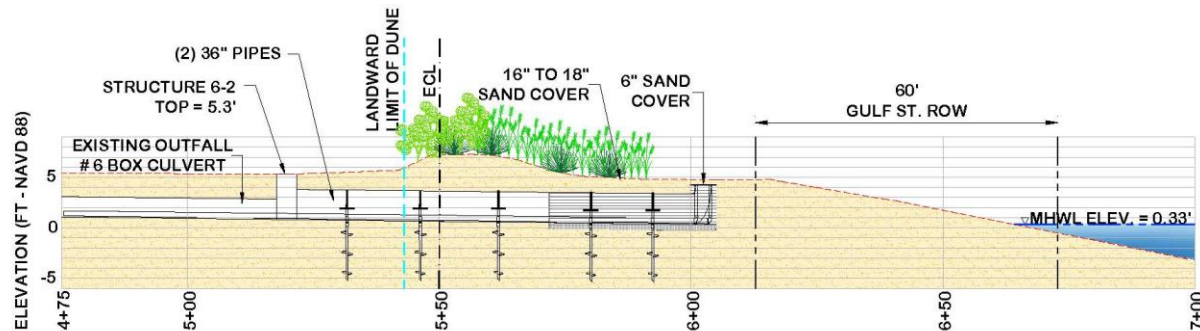
Overflow System – Elevation Views



STA 5+75 SEAWARD ELEVATION VIEW



STA 6+03 SEAWARD ELEVATION VIEW





Questions and Discussion