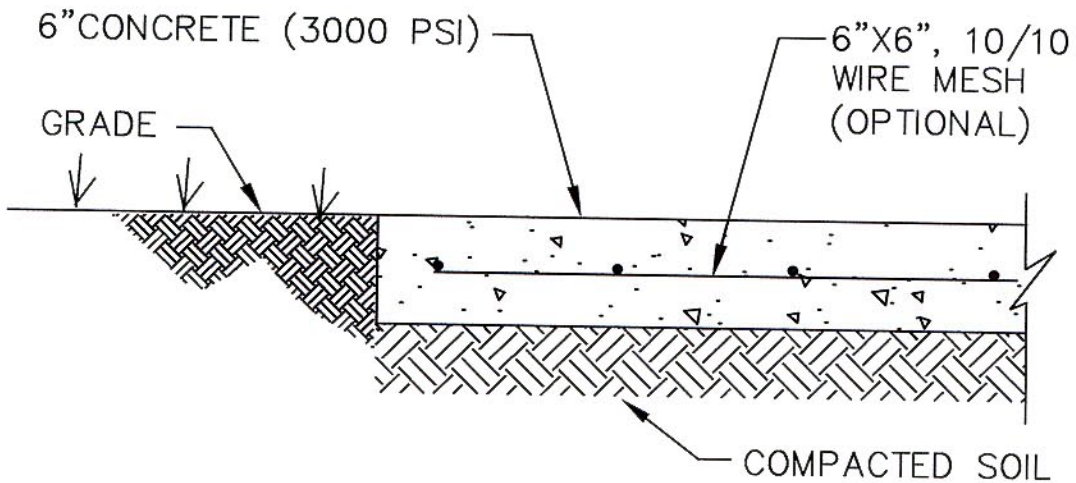


ASPHALT DRIVE DETAIL
N.T.S.



CONCRETE DRIVE DETAIL
N.T.S.

PLOT DATE 4/10/03

COLLIER COUNTY
TRANSPORTATION
OPERATIONS DEPARTMENT

REVISION
APPROVED

TITLE:

RESIDENTIAL
ASPHALT / CONCRETE DRIVE
NOTES AND DETAILS

SHEET
27 OF 31