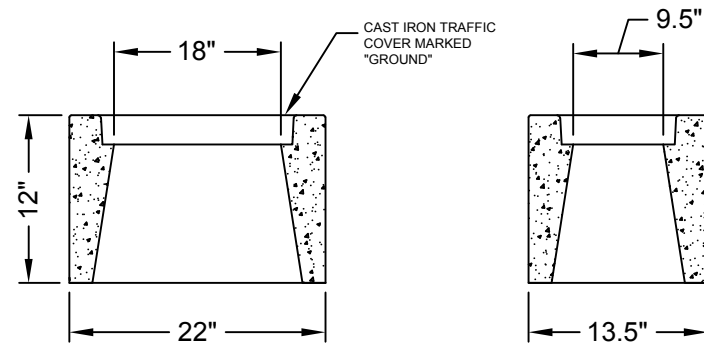
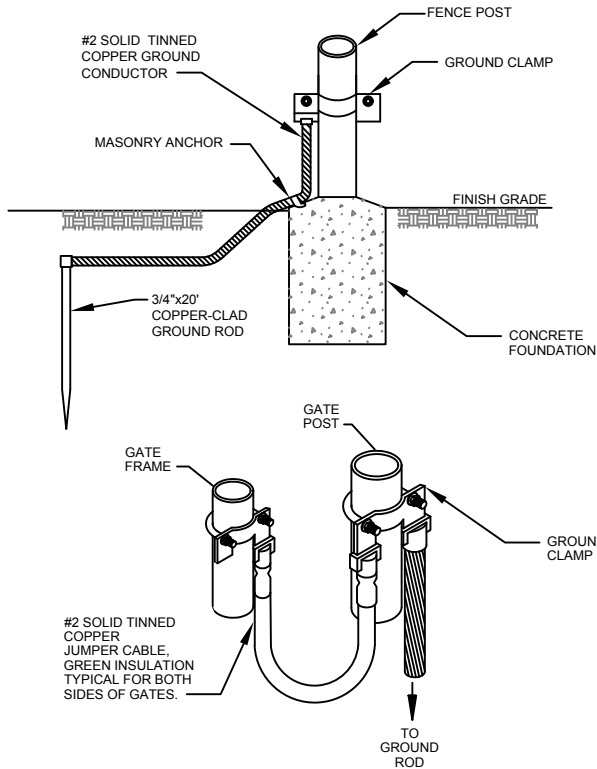


NOTES:
 1. ADDITIONAL CONCENTRIC RINGS SHALL BE ADDED AS REQUIRED TO MEET THE FIVE (5) OHM (OR LESS) SPECIFIED RESISTANCE. EACH RING TO HAVE FOUR (4) GROUND RODS MIN. AND SPACED TEN (10) FEET FROM THE INNER RING.

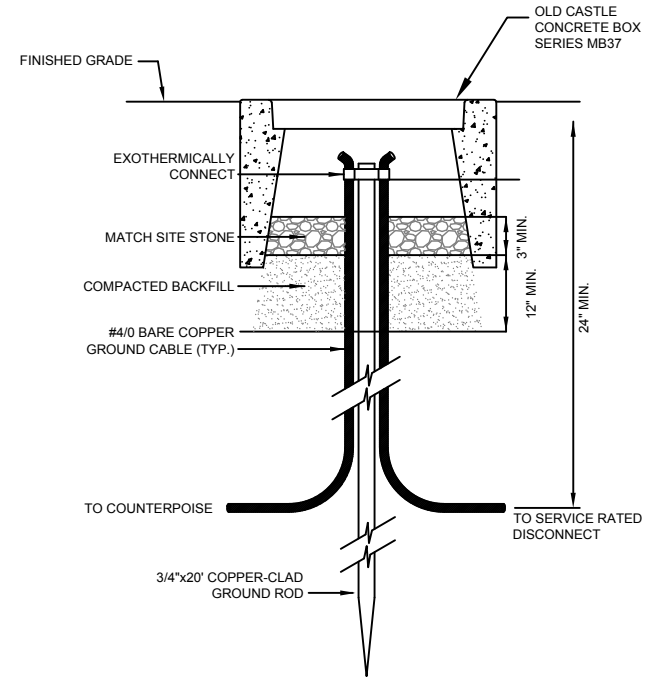
GROUND MAT DETAIL
 NOT TO SCALE



GROUND TEST WELL DETAIL
 NOT TO SCALE



FENCE POST/GATE BONDING DETAIL
 NOT TO SCALE



PUMP STATION LIGHTNING PROTECTION DETAILS

NTS

REVISION DATE:	JAN. 2015



SHEET NO.
 WW-9C