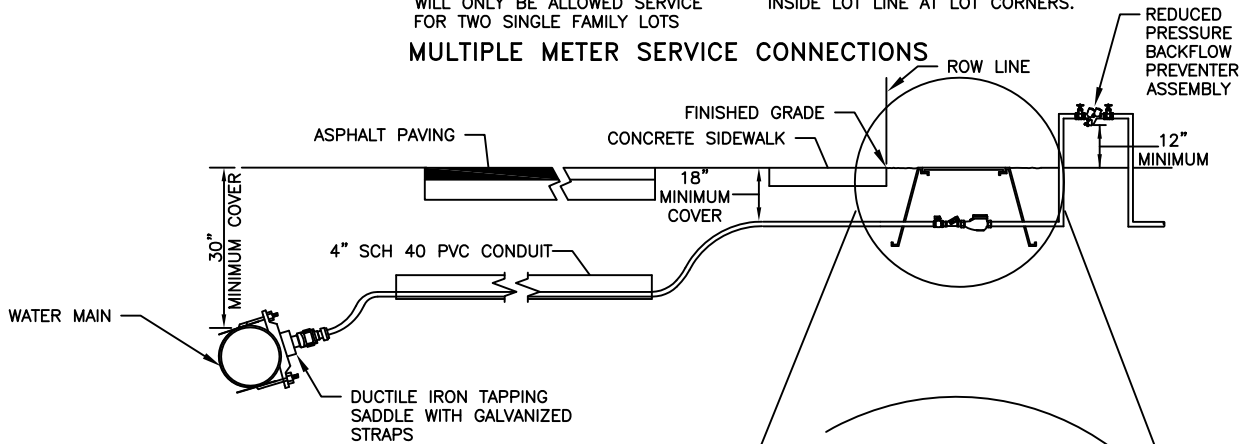


MULTI-SERVICE CONNECTIONS WILL ONLY BE ALLOWED SERVICE FOR TWO SINGLE FAMILY LOTS

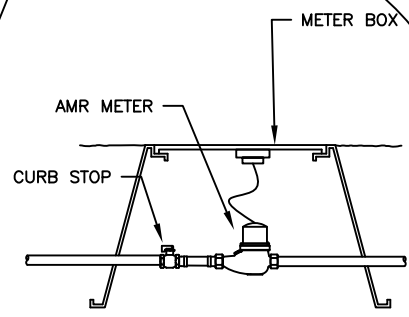
PLACE CURB STOP AND METER BOX INSIDE LOT LINE AT LOT CORNERS.

MULTIPLE METER SERVICE CONNECTIONS



NOTES:

1. CONNECTORS Y (SEE COUNTY APPROVED PRODUCT LIST, APPENDIX F) SHALL BE USED FOR MULTI-SERVICE. SUCCESSIVE TAPS INTO WATER MAIN WILL BE NO CLOSER THAN 24" APART.
2. ALL CASING PIPE SHALL EXTEND A MINIMUM OF 5' BEYOND THE EDGE OF PAVEMENT, WITH A CASING DIAMETER TO BE NO LESS THAN 4". CONDUIT SHALL BE MARKED WITH A ELECTRONIC MARKER (SEE COUNTY APPROVED PRODUCT LIST, APPENDIX F).
3. TAPPING SADDLE, CORPORATION STOP, POLY TUBING, CURB STOP, AND METER BOXES SHALL BE INSTALLED BY UNDERGROUND UTILITY CONTRACTOR AT THE TIME OF WATER MAIN INSTALLATION.
4. MATERIAL SPECIFICATIONS:
 - A. TAPPING SADDLES SHALL BE DUCTILE DOUBLE STRAP OR BRASS DOUBLE STRAP (SEE COUNTY APPROVED PRODUCT LIST, APPENDIX F). MINIMUM SADDLE SIZE 1-1/2".
 - B. CORPORATION STOPS (SEE COUNTY APPROVED PRODUCT LIST, APPENDIX F) SHALL BE BALL TYPE AND MADE OF RED BRASS. OUTLET SHALL BE COMPRESSION TYPE POLYETHYLENE TUBE. COMPRESSION INSERT SHALL BE STAINLESS STEEL.
 - C. CURB STOPS (SEE COUNTY APPROVED PRODUCT LIST, APPENDIX F) SHALL BE BALL TYPE AND MADE OF RED BRASS. INLET SHALL BE COMPRESSION JOINT. OUTLET SHALL BE SWIVEL NUT FOR METER CONNECTION.
 - D. TUBING SHALL BE POLYETHYLENE, PE3408, (AWWA C-901, SDS 9-200) AND BLUE IN COLOR; SIZES SHALL BE 1-1/2" UP TO WYE AND 1" AFTER WYE FOR LONG AND SHORT SIDE SERVICES.
 - E. AUTOMATIC METER READER (AMR) METER BOXES (SEE COUNTY APPROVED PRODUCT LIST, APPENDIX F) SHALL HAVE CAST IRON READ LID.
 - F. POLYETHYLENE PIPE (PE) SHALL MEET THE REQUIREMENTS OF AWWA C-901.
5. ALL PLANTINGS SHALL BE A MINIMUM 1.5' FROM METER BOX, AND SHALL PROVIDE A 3' ACCESS OPENING.
6. ALL COMPONENTS THAT COME INTO CONTACT WITH DRINKING WATER SHALL CONFORM TO NSF STANDARD 61.



**TYPICAL SHORT AND LONG SIDE WATER SERVICE METER SETTING DETAIL
FOR CONNECTION TO WATER MAIN**

NTS

W-12

REVISED: MAY 2009