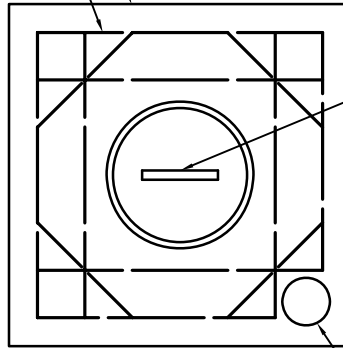


18" x 18" x 6" CONCRETE COLLAR

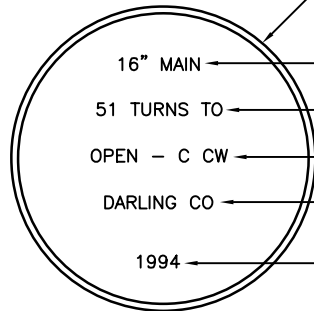
(2) #4 BARS CONTINUOUS AND
(4) #4 BARS DIAGONAL
(2" MINIMUM COVER FOR
REINFORCING STEEL)



SPECIFY LETTERING
AS "IRR", "SEWER",
OR "WATER",
DEPENDING ON USE

PLAN VIEW

PROVIDE A 3" DIAMETER BRASS DISC
ANCHORED IN CONCRETE COLLAR



16" MAIN

SIZE OF MAIN OR BYPASS

51 TURNS TO

NUMBER OF TURNS TO OPEN

OPEN - C CW

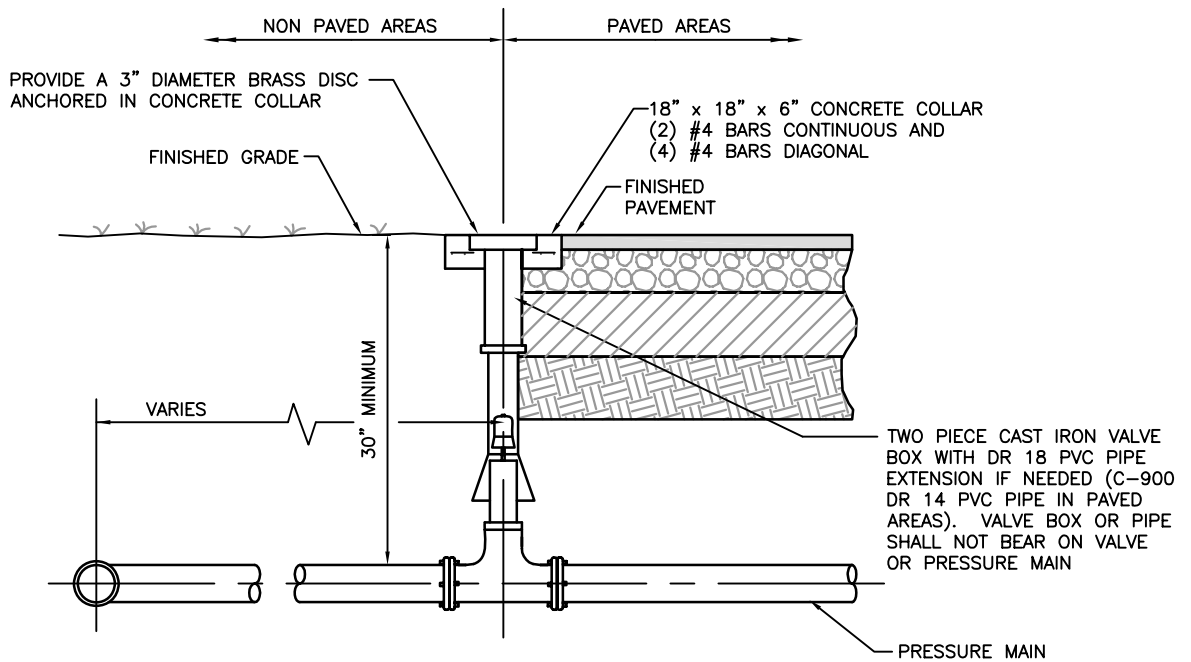
DIRECTION TO TURN TO OPEN

DARLING CO

VALVE MANUFACTURER

1994

YEAR VALVE INSTALLED



ALL VALVES USED IN WATER DISTRIBUTION
SYSTEMS SHALL BE OF THE RESILIENT SEAT
TYPE IN ACCORDANCE WITH AWWA C-509

TYPICAL VALVE SETTING DETAIL
NTS

G-7

REVISED: SEPTEMBER 2006