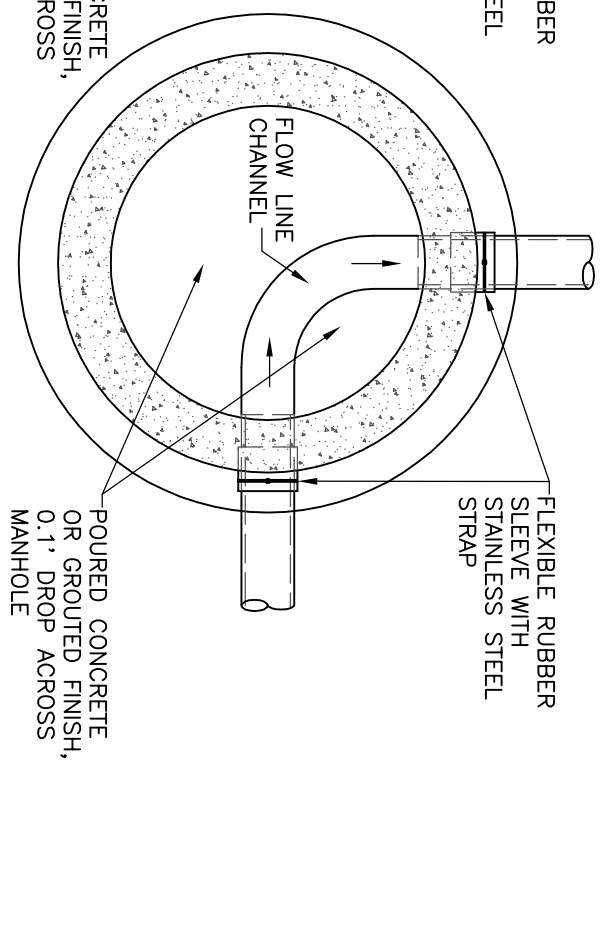
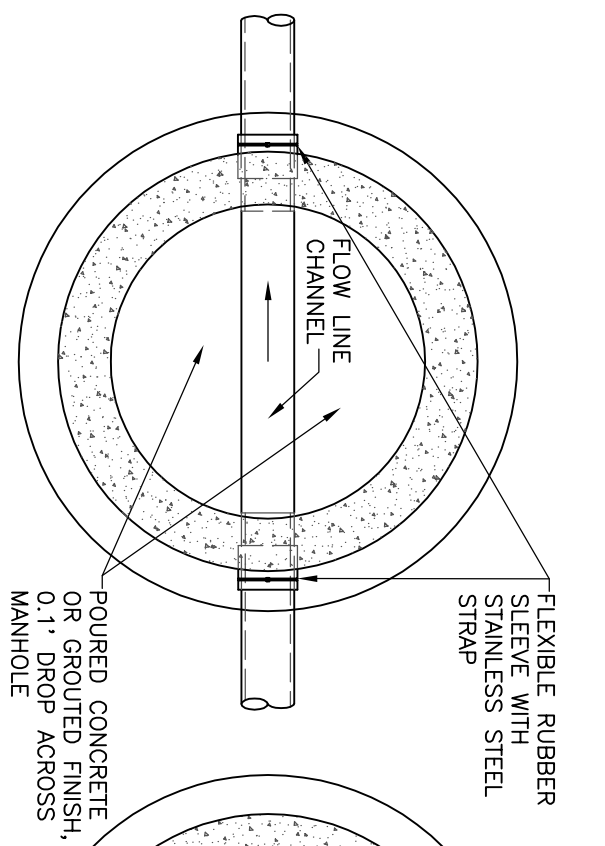
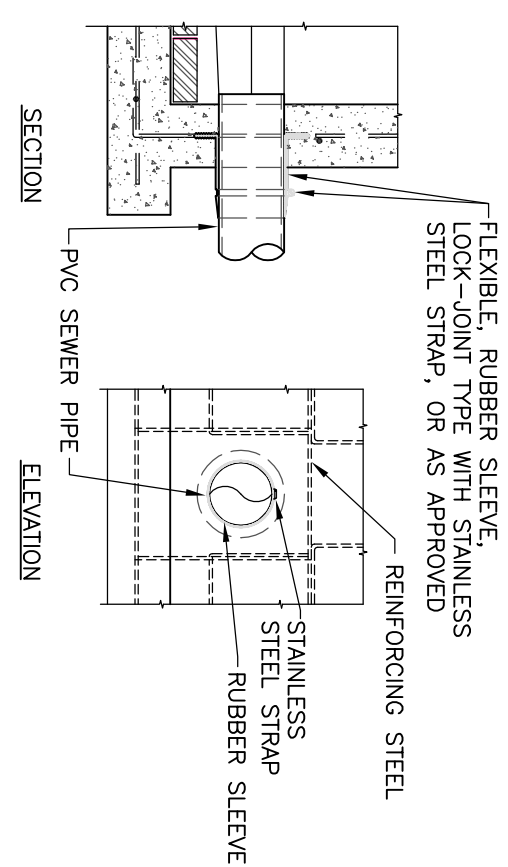
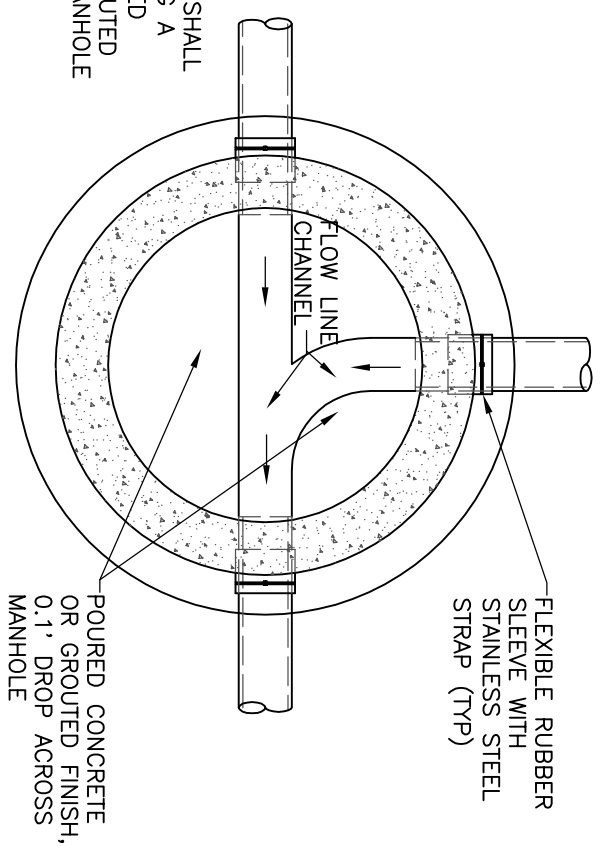


FLOW LINE CHANNELS SHALL BE CLAY BRICK HAVING A MINIMUM OF 2" POURED CONCRETE OR 2" GROUTED 0.1' DROP ACROSS MANHOLE



TYPICAL FLOW LINE CHANNELS DETAIL  
N.T.S.