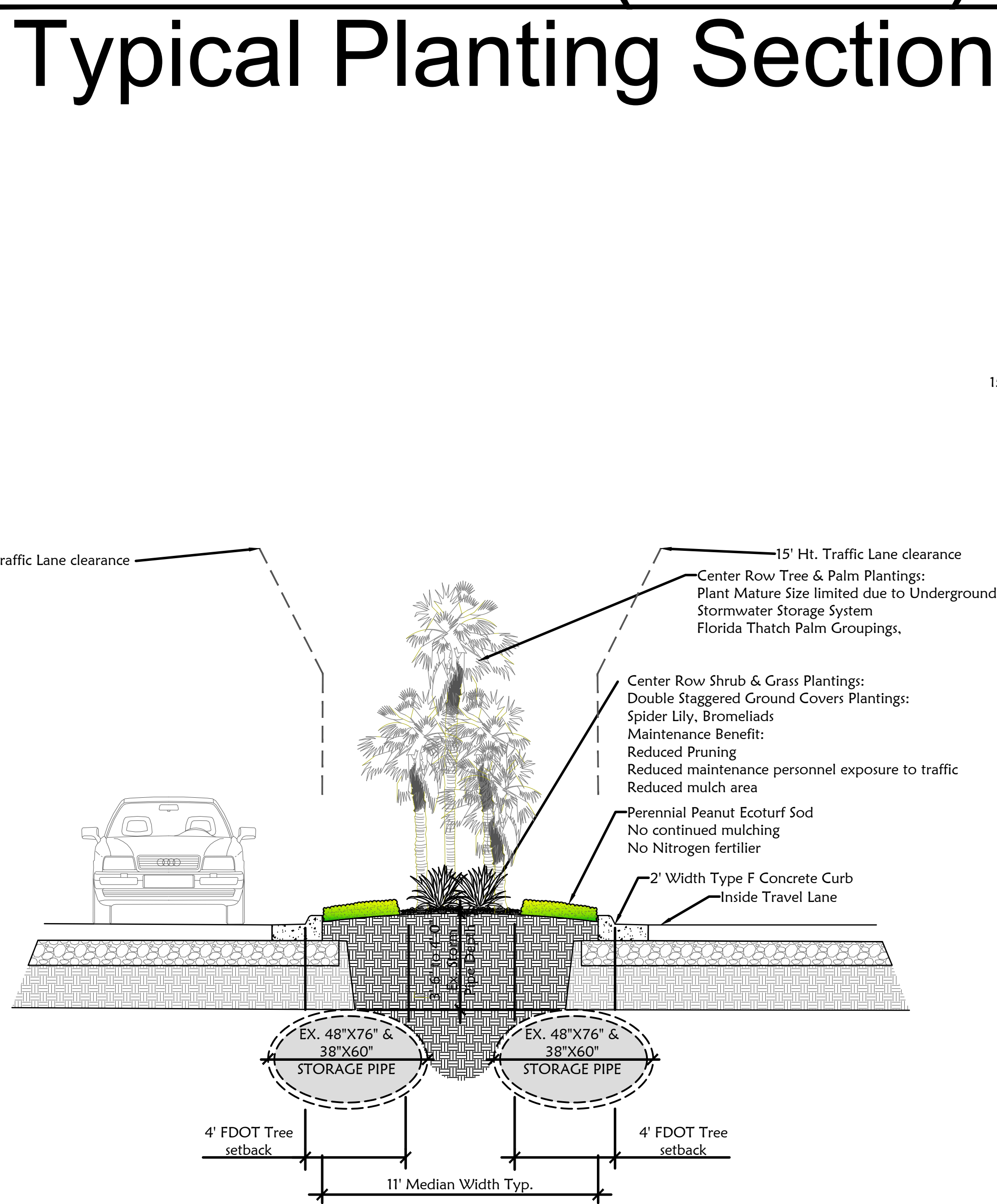
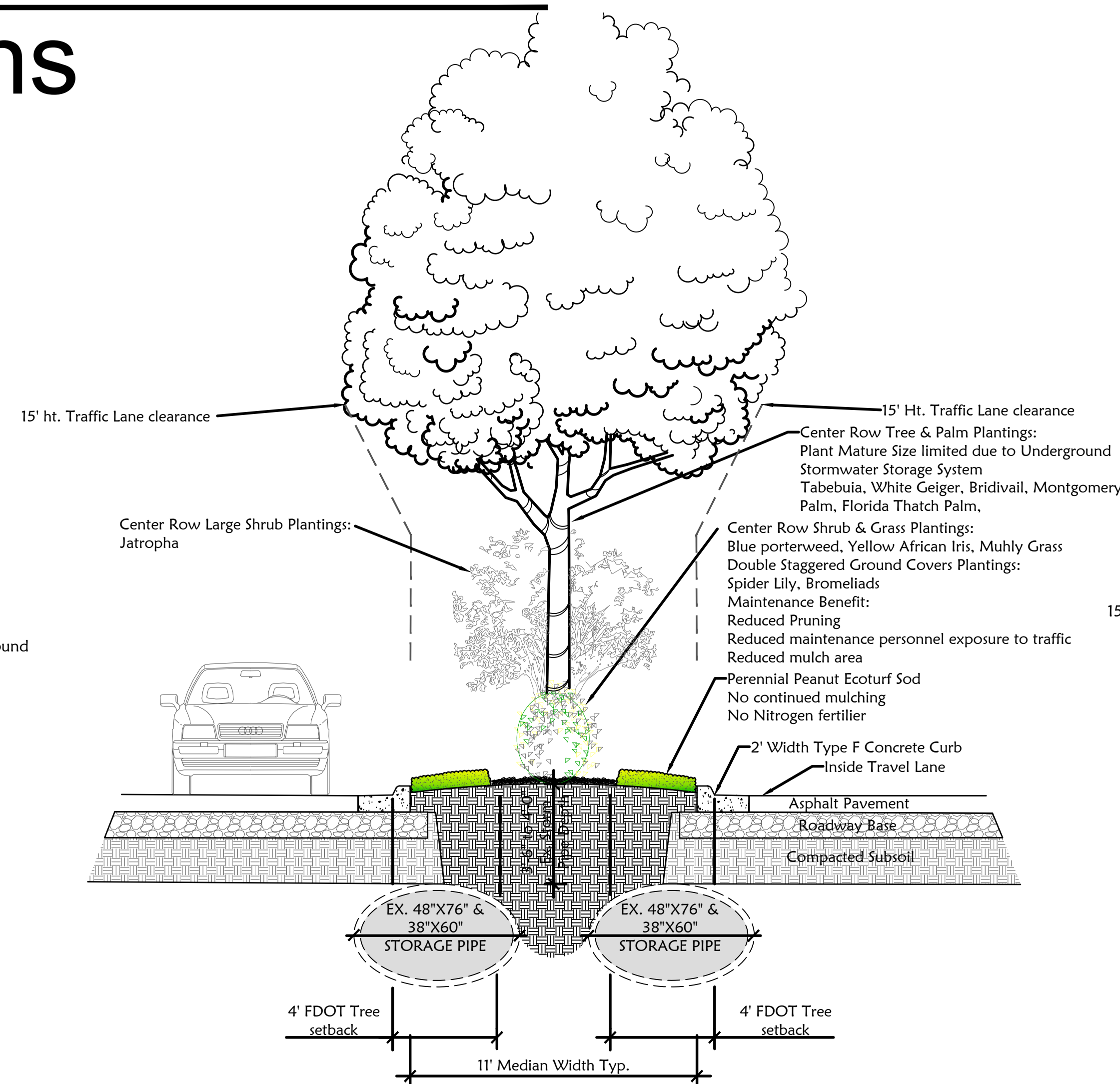


DAVIS BLVD. (S.R. 84) PHASE 4B

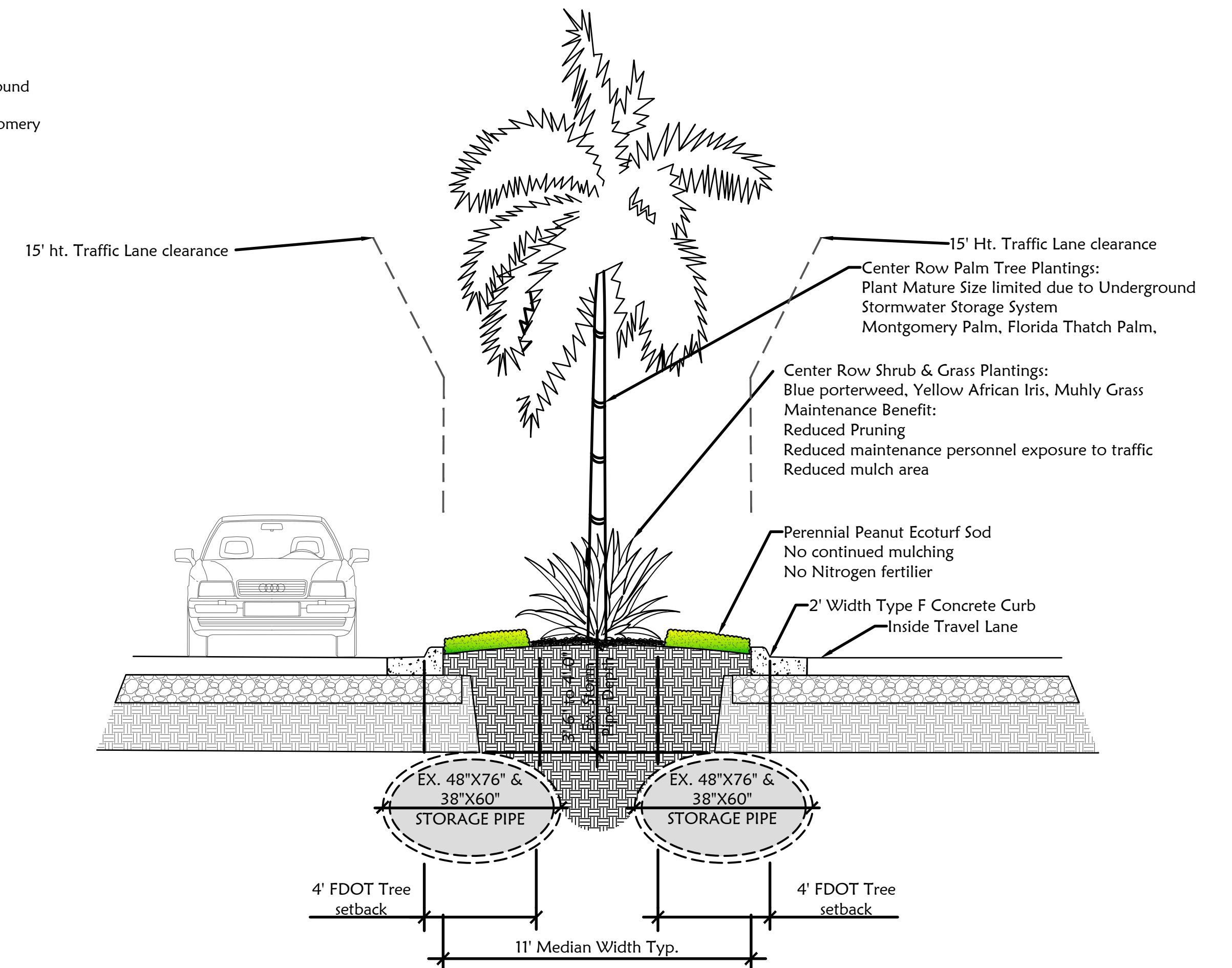
Typical Planting Sections



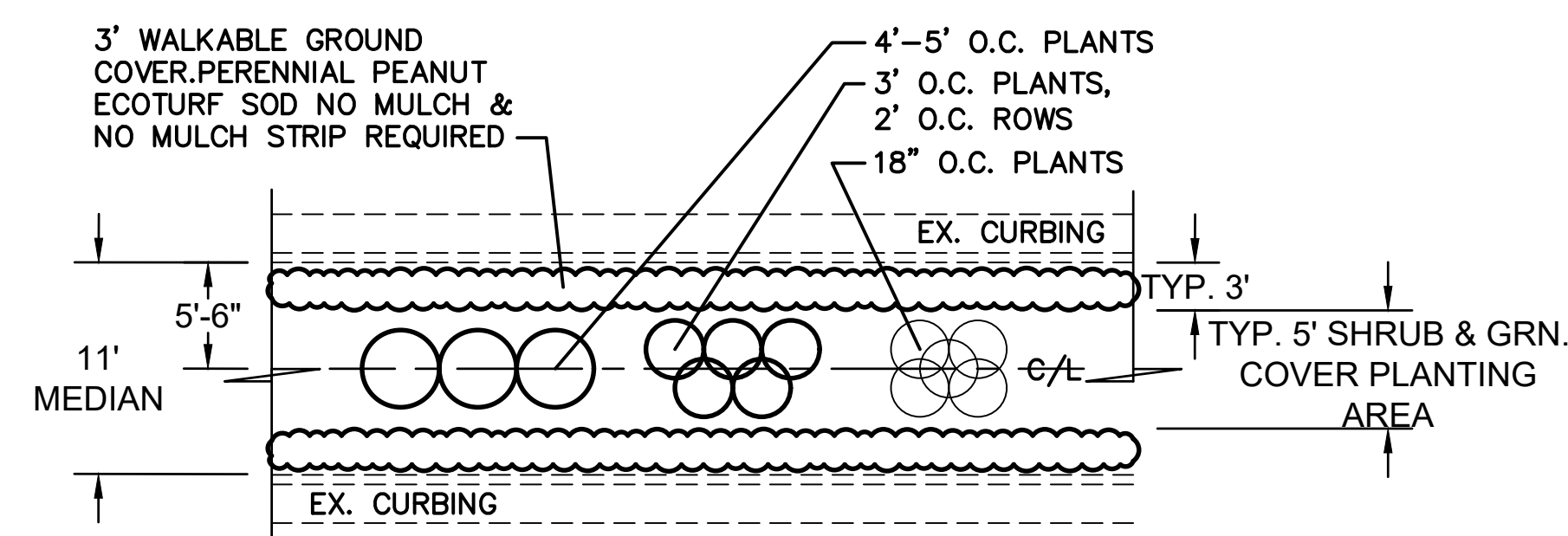
11' WIDTH MEDIAN WITH STORMWATER STORAGE
TYPICAL PROPOSED PALM GROUP PLANTING SECTION
ORNAMENTAL GRASSES WITH PALMS & PALMS & SMALL TREES
NTS



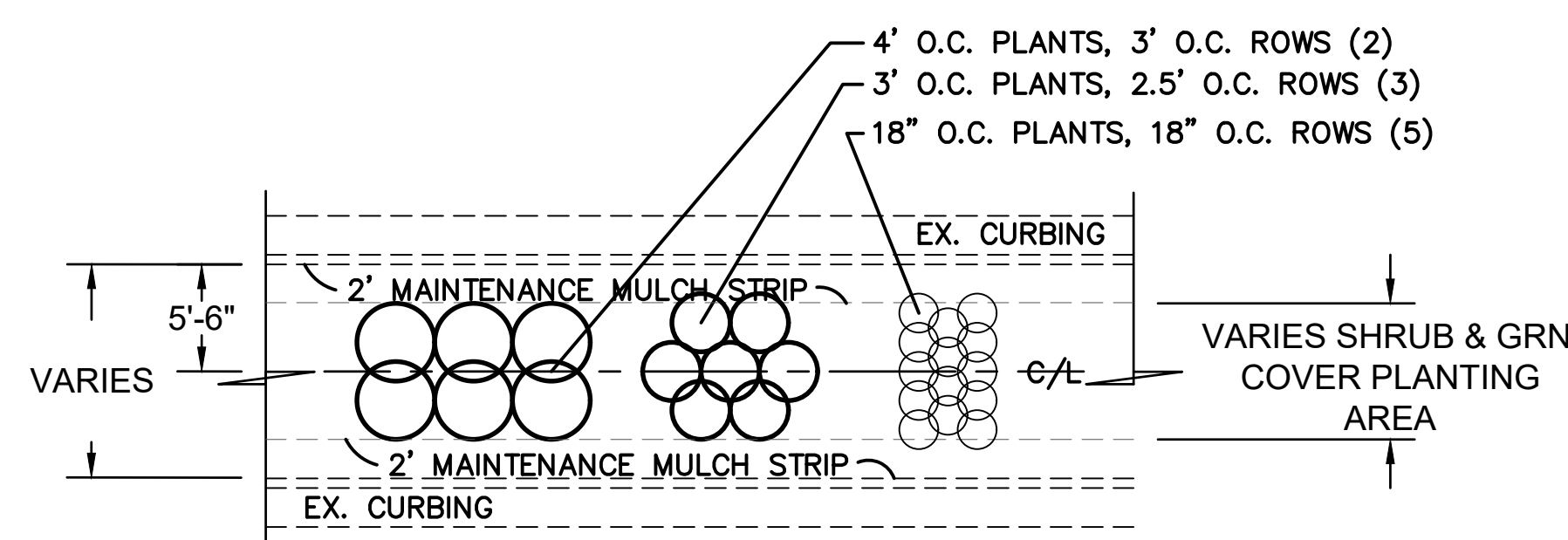
11' WIDTH MEDIAN WITH STORMWATER STORAGE
TYPICAL PROPOSED CANOPY TREE PLANTING SECTION
ORNAMENTAL GRASSES WITH PALMS & PALMS & SMALL TREES
NTS



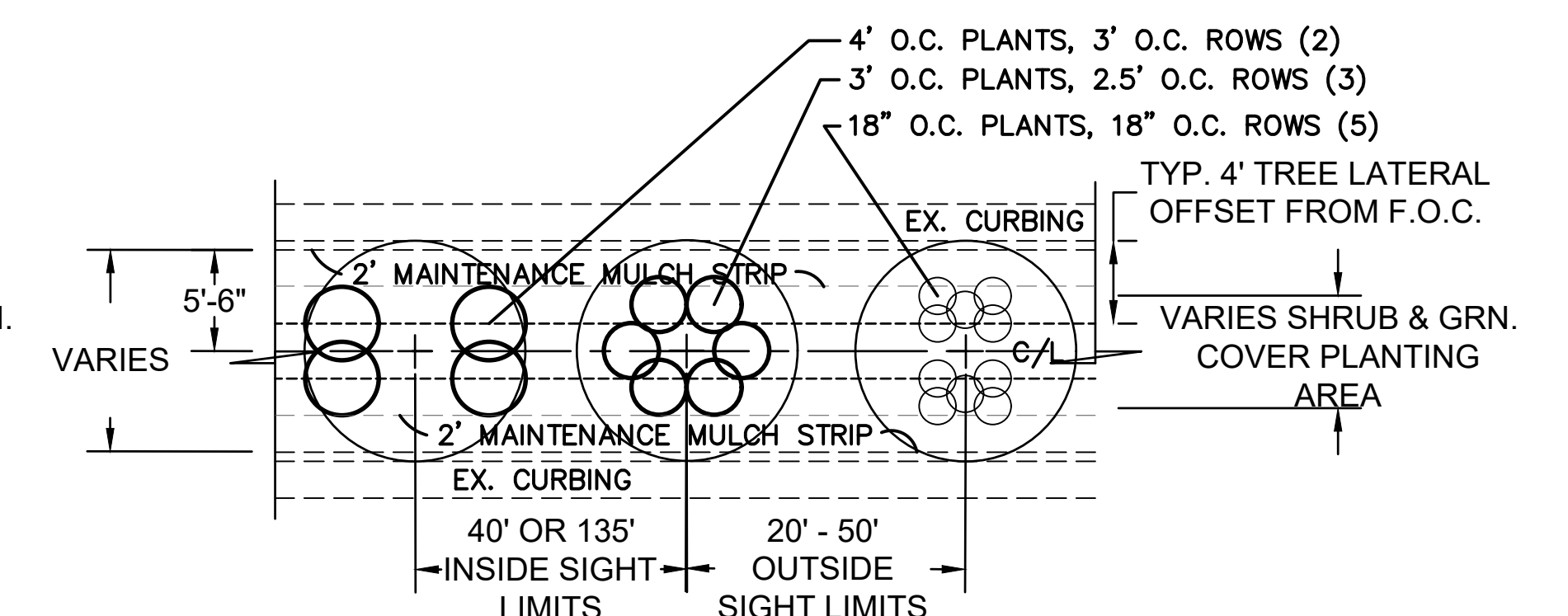
11' WIDTH MEDIAN WITH STORMWATER STORAGE
TYPICAL PROPOSED PALM TREE PLANTING SECTION
ORNAMENTAL GRASSES WITH PALMS & PALMS & SMALL TREES
NTS



TYPICAL 11' MEDIAN SHRUB & GROUND COVER BORDER LAYOUT DETAIL
NTS



TYPICAL MEDIAN SHRUB & GROUND COVER LAYOUT DETAIL
NTS



TYPICAL 11' MEDIAN TREE LOCATION IN SHRUB & GROUND COVER PLANTINGS DETAIL
NTS